

Product Detail

The bollard has been designed to include an innovative breakaway mechanism. This means that if it is excessively impacted the bollard will cleanly break away at ground level. The remaining potted bucket can then house a new bollard with no need for expensive ground repairs or a new installation.

Features & Benefits

- Manufactured from HDPE, offering high strength and durability (100% Recyclable)
- Recyclable) High-visibility reflective strip, in compliance with DDA regulations
- Low cost, simple replacement by in-store personnel
- Stands 1 metre above ground level- 1000mm (H)

Product Specifications

Material

- HDPE

Options

- Walkway Bollard BOL-WALKWAY
- Walkway Bollard Replacement Sleeve BOL-WALKWAY SLEEVE

Contact Us

Here at Street Furnishings, we have become the trusted supplier of many Councils, Contractors, Builders Merchants for over 30 years. Through our knowledge of products built up over time. We are proud in saying "There isn't much that we can't supply!"

Phone: 01189 404 717

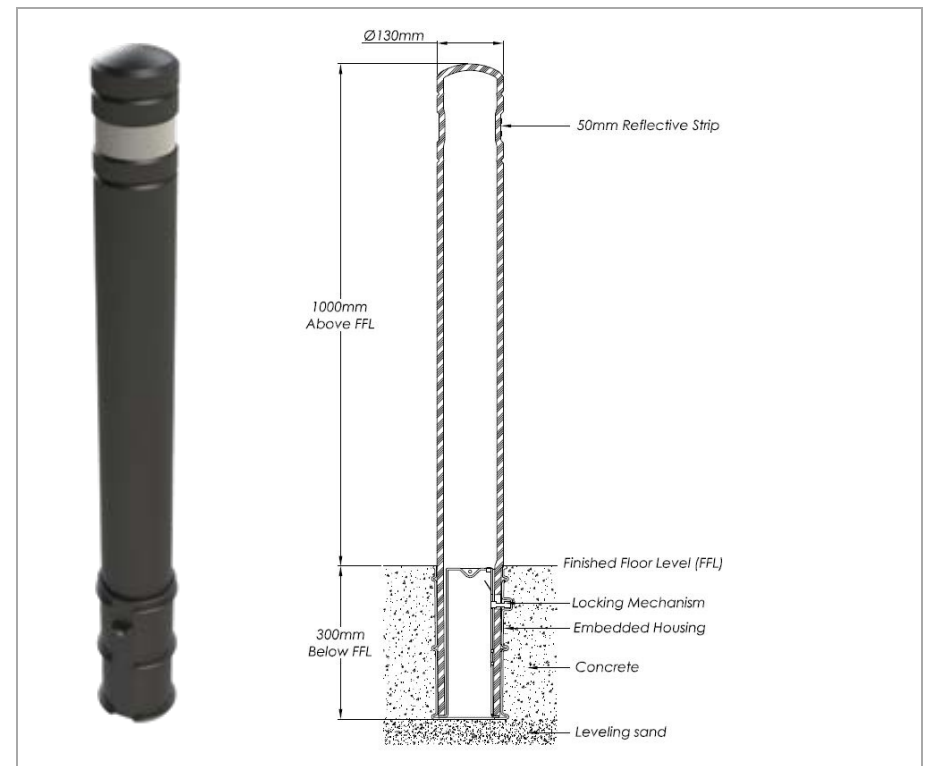
Web: <https://streetfurnishings.co.uk/>

Email: mail@streetfurnishings.co.uk



Walkway Bollard

PRODUCT CODE- SF Supermarket



STREET FURNISHINGS LTD

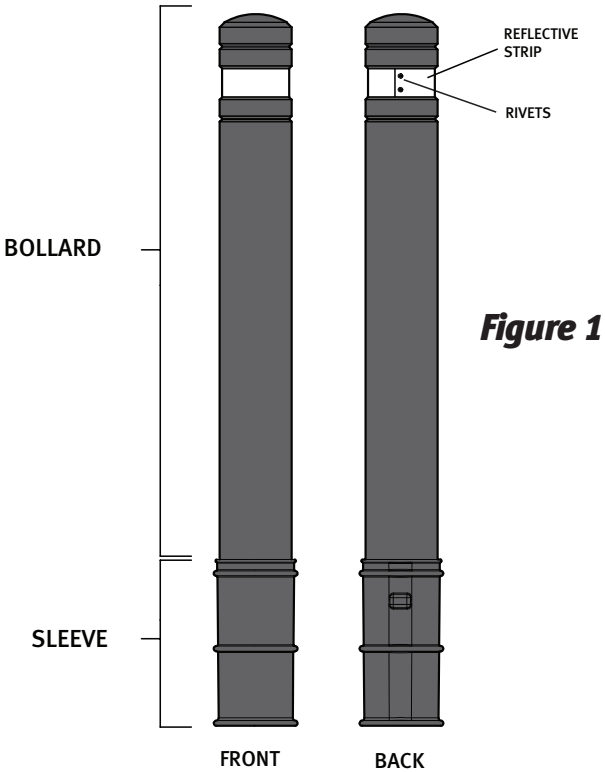
ONE STOP SHOP FOR ALL HIGHWAY PROFESSIONALS



Tools and Hardware Required

- String Line or similar
- Spirit or Bubble Level
- Tape Measure
- Marking Pen or Pencil
- Appropriate Excavation Tools for bollard hole
- Concrete Mixing Tools including water
- 80lb bag of 4000 psi Concrete
- 25lb bag of Sand
- Damp Cloth

Assembly



Contact Us

Here at Street Furnishings, we have become the trusted supplier of many Councils, Contractors, Builders Merchants for over 30 years. Through our knowledge of products built up over time. We are proud in saying “There isn’t much that we can’t supply!”

Phone: 01189 404 717
 Web: <https://streetfurnishings.co.uk/>
 Email: mail@streetfurnishings.co.uk

1. Layout

Identify the intended bollard location(s) using the Tape Measure and String Line, and mark for excavation.

2. Marking & Drilling

Check with site agents and managers before proceeding to ensure they agree with the bollard location(s). If the floor is not finished, enquire about the thickness of the finished ground-works, be it tarmac, concrete or paving stones.

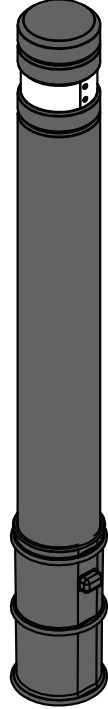


Figure 1a

3.

Excavate a hole with a diameter between 20 and 30 cm (8 to 12 inches) and to a depth of 33 to 35 cm (13 to 14 inches) from the finished floor level. See **Figure 2**.

4.

Pack the bottom of the excavated hole with layer of sand, 2.5 to 5 cm thick (1 to 2 inches) and insert the fully assembled Bollard into the hole as shown in **Figure 3**.

This step is critical for proper installation, DO NOT SKIP!

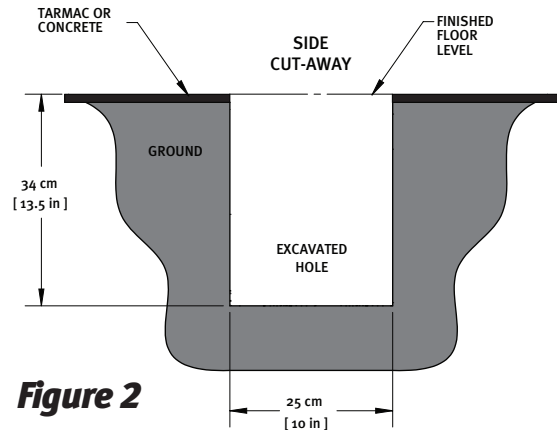


Figure 2

5. IMPORTANT!

Ensure the top edge of the Sleeve is flush and parallel with the finished floor level by adding or removing sand. Refer again to **Figure 3**. A straight edge run along the finished floor can be used to check the height of the Sleeve. Also, check to ensure the Bollard is centered within the hole and plumb (perfectly vertical) by using a Spirit or Bubble Level.

6.

The bollard should also be rotated so that the exposed rivets on the Bollard's reflective strip are facing away from the most common line of sight. If multiple Bollards are being installed near one another, all the rivets should be facing the same direction.

7.

With the Bollard now correctly positioned and orientated in the hole, carefully pack premixed concrete around the perimeter. Do not allow concrete to fall in between the Bollard and the Sleeve.

IMPORTANT: *The finished concrete surface should be flush with the top edge of the Sleeve and the finished floor. See Figure 3.*

8.

Clean the Bollard with a damp cloth and if necessary use wooded supports to set the bollard over night to avoid accidental movement before the concrete sets.

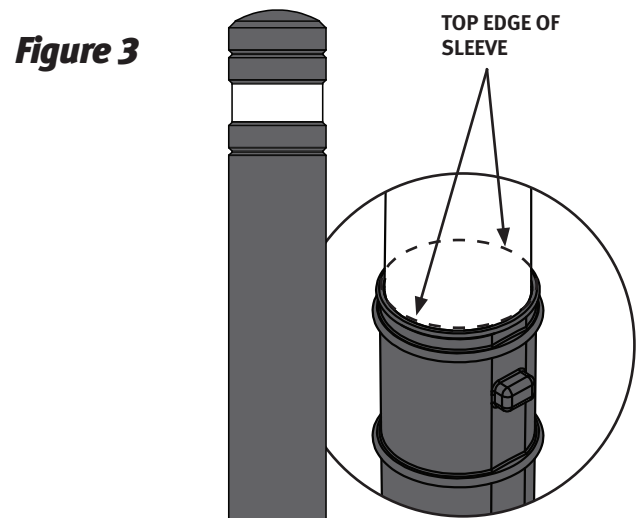
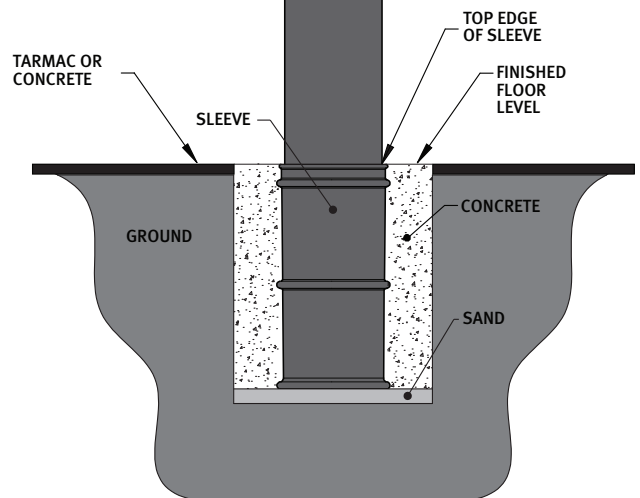


Figure 3a



STREET FURNISHINGS LTD

Tools and Hardware Required

- Pliers
- Flat Screwdriver—minimum of 10 cm long (not including the handle) and a tip no wider than 1 cm

1.

Remove the black plastic cap with a screwdriver.
See **Figure 4**. Do Not Throw Cap Away

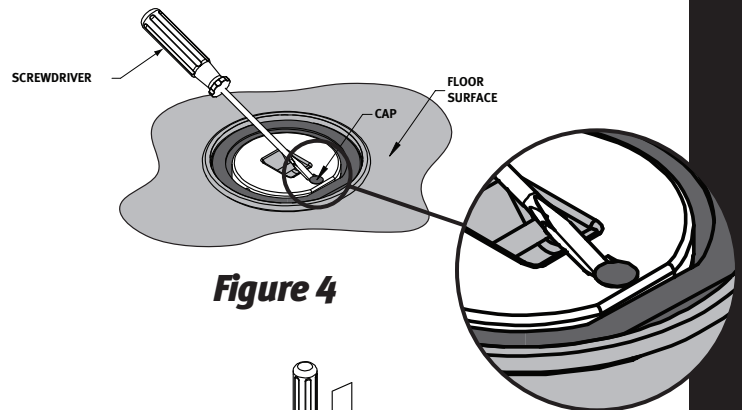


Figure 4

2.

Insert the screwdriver into the hole covered by the cap.
See **Figure 5**. Keep the screwdriver perfectly straight. You will feel resistance as the screwdriver slides in between the plastic outer walls and the metal Quick-Release Pin. The screwdriver should only be inserted about 8cm (3 inches) into the hole before it hits the pin.

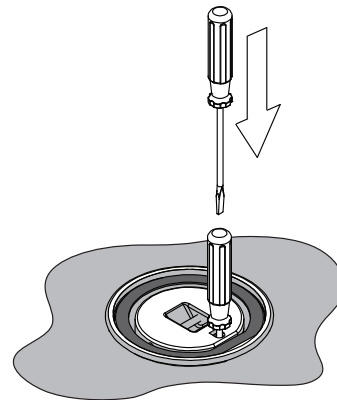


Figure 5

3.

To disengage the Pin, the following two steps must be carried out at the same time:

- Pivot the screwdriver as shown in **Figure 6a**. This action pushes the Pin away from the side walls of the hole and disengages the bollard.
- At the same time, pull up on the pull bar with pliers. Both the Insert and the remaining portion of the Bollard will now lift freely out of the Sleeve. See **Figure 6b**.

Tip: To get a better grip on the insert, thread a strap or rope through the pull bar.

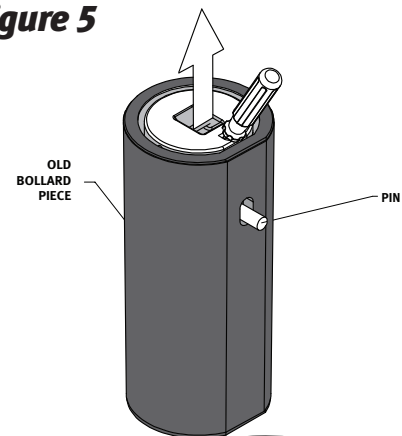


Figure 6b

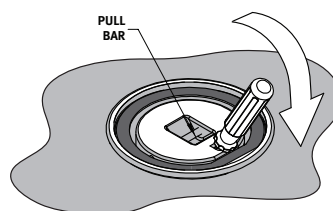


Figure 6a

Contact Us

Phone: 01189 404 717

Web: <https://streetfurnishings.co.uk/>

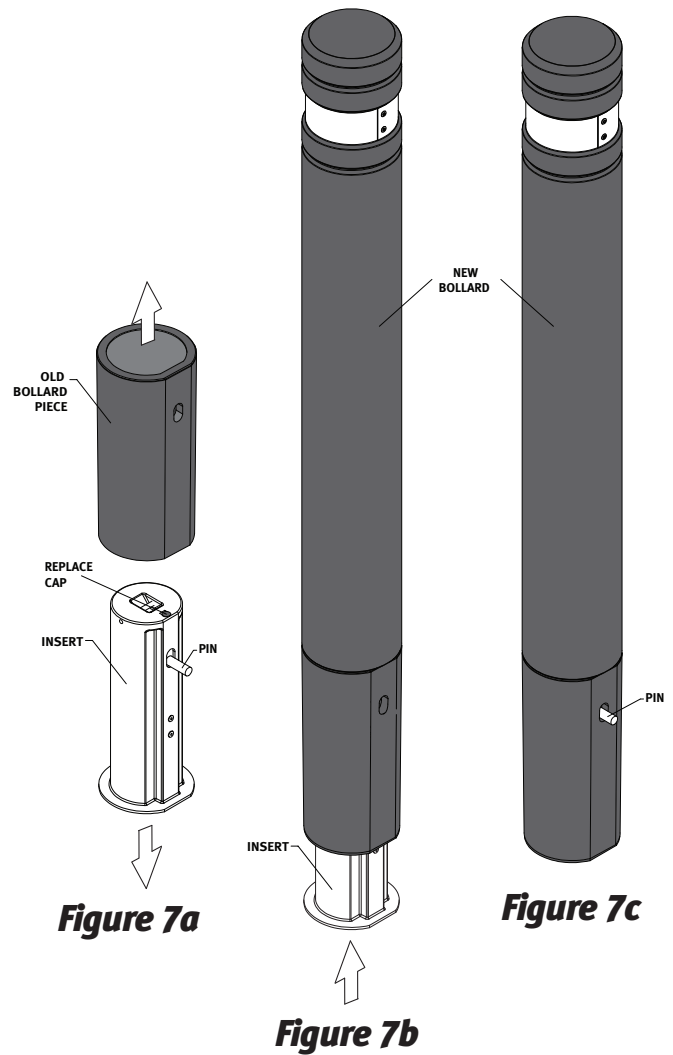
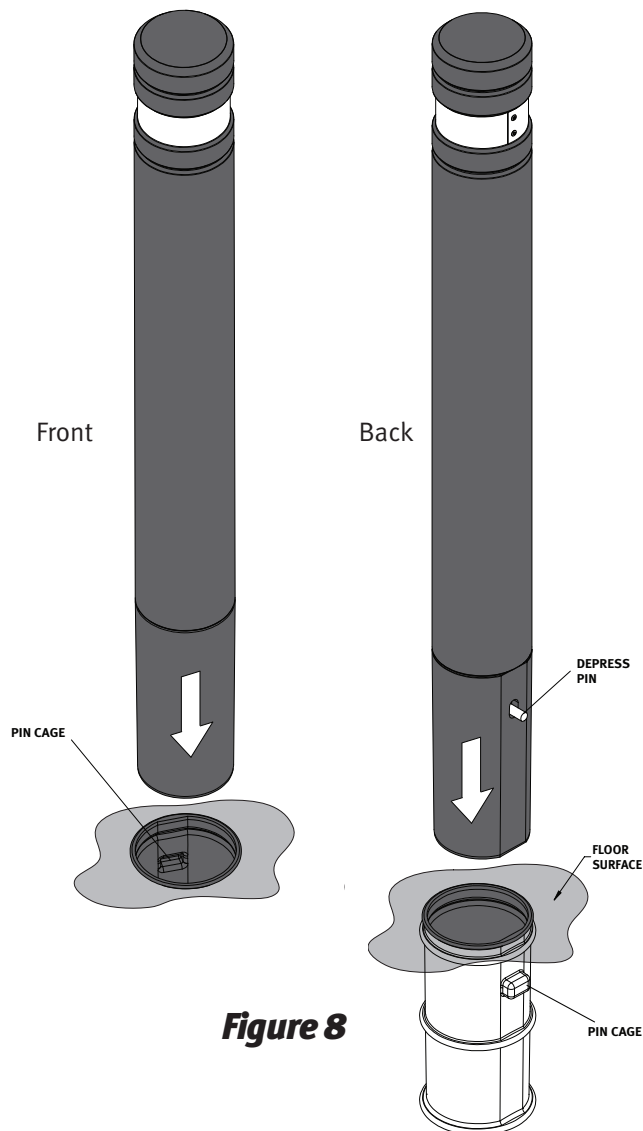
Email: mail@streetfurnishings.co.uk

4.

The Insert will now be reused for the new Bollard. Remove the Insert from the old bollard piece by depressing the pin **Figure 7a**. Now replace the cap from step 1 back into the insert. Finally slide the insert into the new bollard by depressing the pin **Figure 7b**. The pin should be locked and visible in the bollard as shown in **Figure 7c**.

5.

The Bollard is now ready to be installed into the existing sleeve. First orientate the Bollard so that the Pin is aligned with the Pin Cage in the ground. See **Figure 8**. Next, lower the Bollard slowly into the Sleeve. When the Pin hits the surface carefully push it inside the Bollard. The Bollard is locked and ready for use when the Pin engages the Pin Cage on the Sleeve.

**6. IMPORTANT!**

Test to ensure the Bollard is locked by trying to rotate or lift the bollard out of the ground. If the Bollard comes free from the Sleeve, repeat Step 5, taking careful note of the Pin and Pin Cage alignment.

7.

If necessary clean the Bollard with a damp cloth

Contact Us

Here at Street Furnishings, we have become the trusted supplier of many Councils, Contractors, Builders Merchants for over 30 years. Through our knowledge of products built up over time. We are proud in saying "There isn't much that we can't supply!"

Phone: 01189 404 717

Web: <https://streetfurnishings.co.uk/>

Email: mail@streetfurnishings.co.uk