

Product Detail

This pedestrian guardrail is an effective barrier for pedestrians and allows greater visibility to pedestrians.

Manufactured from galvanised mild steel with in-line bars.

- Constructed from 50 x 30mm vertical and horizontal rails with 12mm/16mm solid infill bars set at 112mm centres. BS 7818:1995 Class 2a / 3c
- Stock Panels are 2000 mm wide. & 1000 mm
- Posts, pales and rails are galvanised to BS EN1461. With options to be PPC to any RAL
- 2 x M10 bolts are required to join rails together.
- Root Fixed, Surface Fixed
- Options of infills available (Staggered and Standard, Racked and Radius)
- Any length made to order

Contact Us

Here at Street Furnishings, we have become the trusted supplier of many Councils, Contractors, Builders Merchants for over 30 years. Through our knowledge of products built up over time. We are proud in saying "There isn't much that we can't supply!"

Phone: 01189 404 717

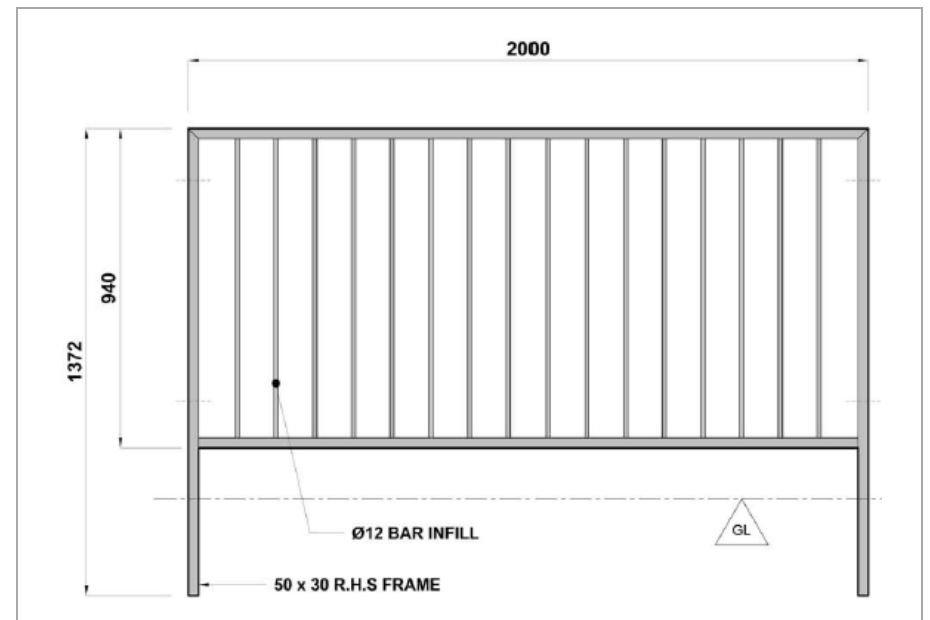
Web: <https://streetfurnishings.co.uk/>

Email: mail@streetfurnishings.co.uk



PEDESTRIAN G/Rail 2m & 1m

PRODUCT CODE- P0001



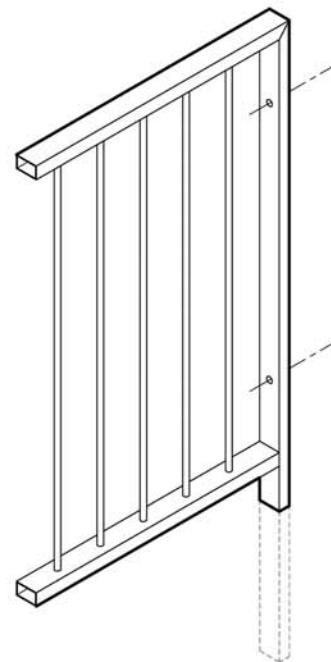
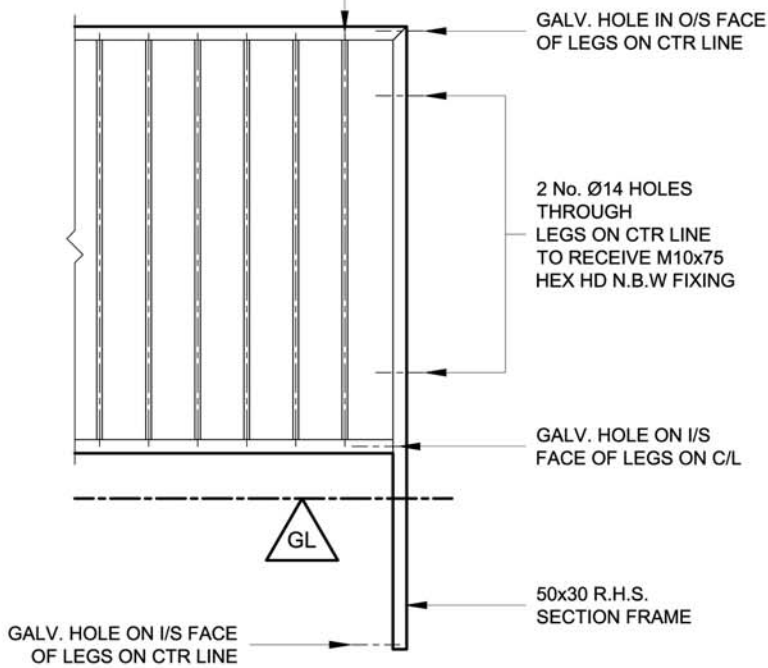
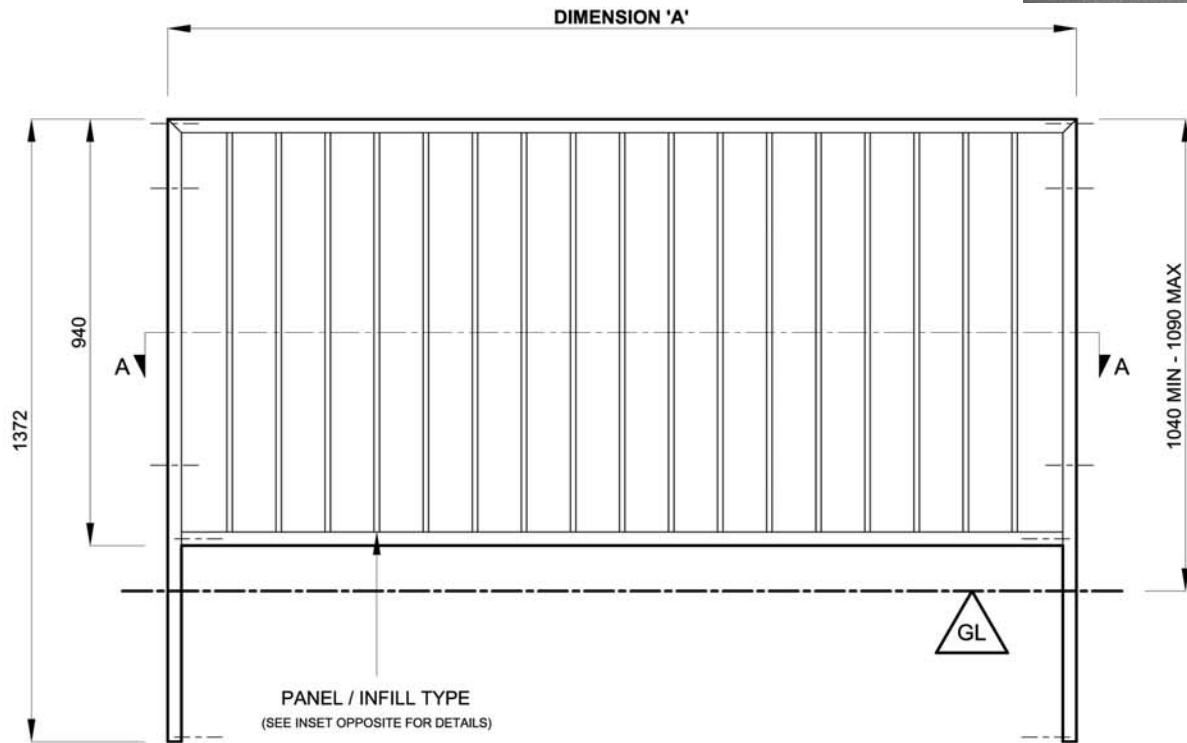
STREET FURNISHINGS LTD

ONE STOP SHOP FOR ALL HIGHWAY PROFESSIONALS



► Pedestrian Guardrailing

▼ Standard panel



ISOMETRIC VIEW

(PANEL END SECTION, SHOWING STD INFILL PATTERN)

SF 3.10